



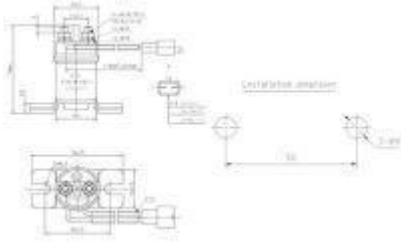
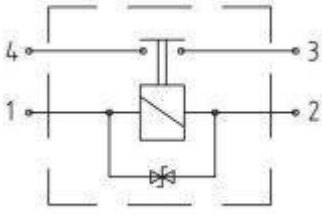


### Auto Electromagnetic Starting Relay

CHINT® Automotive is an Automotive Battery Switch manufacturer and supplier in China. We have been specialized in automotive Battery Switch over twenty years. CHINT® Auto Electromagnetic Starting Relay is a high performance starting/preheating relay, by using a solenoid system to bring the output. The Starting Relay is available for most of the vehicle and machinery.

Our products supplies for almost all brand of Chinese truck, Daimler & John Deere with OEM quality and competitive price. We look forward to becoming your long-term partner in China.

	<b>Auto Electromagnetic Starting Relay</b>	<b>Product Specification Intro</b>
		<b>KE300 Series</b>
<b>Description</b>		
<p>CHINT® Auto Electromagnetic Starting Relay is a high performance starting/preheating relay, by using a solenoid system to bring the output. Available for most of the vehicle and machinery. KE300: the basic type with copper contact, which can reach the life endurance of 50000 cycles. KE301: has the same appearance as KE300, but use a silver contact with the copper bridge, which can increase the performance for the life endurance of 200000 cycles. 130A high performance output to support the starting and preheating system High protection of environment to reach IP67, IP69k A diode design to get a better voltage supply. Lab test: Basic spec test, maximum continuous current test, Water resistance test, dust resistance test, Vibration resistance, Resistance to combustibles, hydrocarbons and fluids, salt spray test, cold test, dry heat test, rapid temperature changes test, Resistance to slow temperature cycles, Life endurance test, large current test.</p>		
<b>Feature/Benefits:</b>		<b>Application:</b>
Rated Working Voltage: 12V or 24V		
Rated Current: 130A		
Working Environmental Temperature: -40°C ~ +120°C		
Max Instantaneous Current: 500A/30s, 1000A/3s		
Proof: IP67/9K		

Life Endurance: 200000/50000 cycles (5s ON, 5s OFF)	
Standard: QCT427-2013, ISO16750-3	
<b>Mounting Diagram:</b>	<b>Electrical Diagram:</b>
	

**Ordering Informaton:**

Model	Elec-Spec.				Feature	
	Rated Voltage	Rated Current	Max Current		Proof	Other
KE300	12/24V	130A	500A/30s	1000A/3s	IP67/69K	Basic Type
KE301	12/24V	130A	500A/30s	1000A/3s	IP67/69K	Silver contact Type